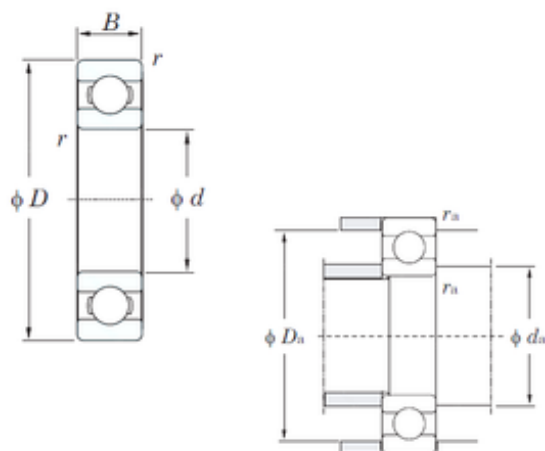




SNR Bearing Argentina



NSK Koyo NTN SKF Timken Brand Deep Groove Ball Bearing 6304 2RS / 6305 2RS / 6308 2RS / 6000 2RS / 6001 2RS / 6002 2RS / 6003 2RS / 6004 2RS Bearing

Bearing No. 6304

6304 Bearing 2D drawings and 3D CAD models

Size	20x52x15 mm
Bore Diameter	20 mm
Outer Diameter	52 mm
Width	15 mm
d	20 mm
D	52 mm
B	15 mm
C	15 mm
r min.	1,1 mm
da min.	26,5 mm
Da max.	45,5 mm
ra max.	1 mm
Weight	0,144 Kg
Basic dynamic load rating (C)	15,9 kN
Basic static load rating (C0)	7,85 kN
(Grease) Lubrication Speed	14000 r/min
(Oil) Lubrication Speed	17000 r/min
Category	Single Row Ball Bearings
Inventory	0.0
Manufacturer Name	KOYO
Minimum Buy Quantity	N/A
Weight / Kilogram	0.161
EAN	0605790072505



SNR Bearing Argentina

Product Group	B00308
Enclosure	Open
Precision Class	ABEC 1 ISO P0
Maximum Capacity / Filling Slot	No
Rolling Element	Ball Bearing
Snap Ring	No
Internal Special Features	No
Cage Material	Steel
Internal Clearance	C0-Medium
Inch - Metric	Metric
Long Description	20MM Bore; 52MM Outside Diameter; 15MM Outer Race Diameter; Open; Ball Bearing; ABEC 1 ISO P0; No Filling Slot; No Snap Ring; No Internal Special Features
Category	Single Row Ball Bearing
UNSPSC	31171504
Harmonized Tariff Code	8482.10.50.68
Noun	Bearing
Keyword String	Ball
Manufacturer URL	http://www.koyousa.com
Manufacturer Item Number	6304
Weight / LBS	0.355
Outer Race Width	0.591 Inch 15 Millimeter
Outside Diameter	2.047 Inch 52 Millimeter
Bore	0.787 Inch 20 Millimeter
Bearing No.	6304
r(min)	1.1
Cr	19.9
C0r	7.85
Cu	0.660



SNR Bearing Argentina

f0	12.3
Grease lub.	14000
Oil lub.	17000
da(min)	26.5
Da(max)	45.5
ra(max)	1
(Refer.) Mass(kg)	0.144