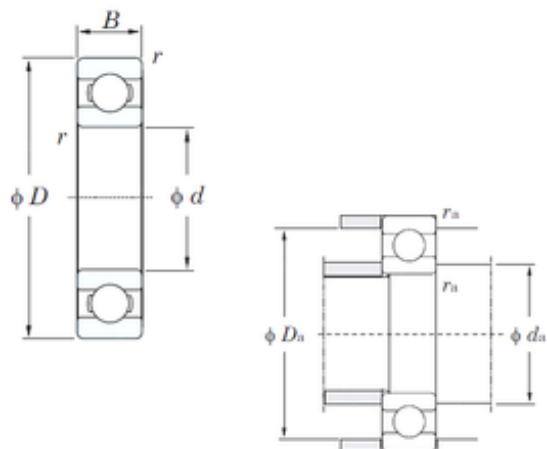




SNR Bearing Argentina



6303 6303zz 6303 2RS 17*47*14mm Bearing and
SKF NSK NTN Koyo Japan Brand Deep Groove
Ball Bearing 6301 6302 6303 6304 6305 6306 6307
6308 6309 6310

Bearing No. 6303

| | |
|-------------------------------|--------------------------|
| Size | 17x47x14 mm |
| Bore Diameter | 17 mm |
| Outer Diameter | 47 mm |
| Width | 14 mm |
| d | 17 mm |
| D | 47 mm |
| B | 14 mm |
| C | 14 mm |
| r min. | 1 mm |
| da min. | 22 mm |
| Da max. | 42 mm |
| ra max. | 1 mm |
| Weight | 0,115 Kg |
| Basic dynamic load rating (C) | 13,6 kN |
| Basic static load rating (C0) | 6,65 kN |
| (Grease) Lubrication Speed | 15000 r/min |
| (Oil) Lubrication Speed | 18000 r/min |
| Category | Single Row Ball Bearings |
| Inventory | 0.0 |
| Manufacturer Name | KOYO |
| Minimum Buy Quantity | N/A |
| Weight / Kilogram | 0.123 |
| EAN | 0605790071928 |
| | |

6303 Bearing 2D drawings and 3D CAD models



SNR Bearing Argentina

| | |
|---------------------------------|--|
| Product Group | B00308 |
| Enclosure | Open |
| Precision Class | ABEC 1 ISO P0 |
| Maximum Capacity / Filling Slot | No |
| Rolling Element | Ball Bearing |
| Snap Ring | No |
| Internal Special Features | No |
| Cage Material | Steel |
| Internal Clearance | C0-Medium |
| Inch - Metric | Metric |
| Long Description | 17MM Bore; 47MM Outside Diameter; 14MM Outer Race Diameter; Open; Ball Bearing; ABEC 1 ISO P0; No Filling Slot; No Snap Ring; No Internal Special Features |
| Category | Single Row Ball Bearing |
| UNSPSC | 31171504 |
| Harmonized Tariff Code | 8482.10.50.68 |
| Noun | Bearing |
| Keyword String | Ball |
| Manufacturer URL | http://www.koyousa.com |
| Manufacturer Item Number | 6303 |
| Weight / LBS | 0.272 |
| Outside Diameter | 1.85 Inch 47 Millimeter |
| Outer Race Width | 0.551 Inch 14 Millimeter |
| Bore | 0.669 Inch 17 Millimeter |
| Bearing No. | 6303 |
| r(min) | 1 |
| Cr | 17.0 |
| C0r | 6.65 |
| Cu | 0.550 |
| | |



SNR Bearing Argentina

| | |
|-------------------|-------|
| f0 | 12.4 |
| Grease lub. | 15000 |
| Oil lub. | 18000 |
| da(min) | 22 |
| Da(max) | 42 |
| ra(max) | 1 |
| (Refer.) Mass(kg) | 0.115 |